

# EURO-WALL, LLC

## FIXED WINDOW

### (NON-HVHZ)(NON-IMPACT)

euro-wall

FOLDING | SLIDING | STACKING | PIVOT

EURO-WALL, LLC  
24100 TISEO BOULEVARD  
PORT CHARLOTTE, FL 33980  
PH: 888-989-3876

**INSTALLATION NOTES:**

- ONE (1) INSTALLATION ANCHOR IS REQUIRED AT EACH ANCHOR LOCATION SHOWN, UNLESS OTHERWISE STATED.
- THE NUMBER OF INSTALLATION ANCHORS DEPICTED IS THE MINIMUM NUMBER OF ANCHORS TO BE USED FOR PRODUCT INSTALLATION.
- INSTALL INDIVIDUAL INSTALLATION ANCHORS WITHIN A TOLERANCE OF ±1/16 INCH OF THE DEPICTED LOCATION IN THE ANCHOR LAYOUT DETAIL (I.E., WITHOUT CONSIDERATION OF TOLERANCES). TOLERANCES ARE NOT CUMULATIVE FROM ONE INSTALLATION ANCHOR TO THE NEXT.
- THROUGH FRAME:** FOR INSTALLATION INTO 2X WOOD BUCK OR FRAMING, USE ONE #10 WOOD SCREW TYPE INSTALLATION ANCHOR PER LOCATION OF SUFFICIENT LENGTH TO ACHIEVE A MINIMUM 1 1/2" EMBEDMENT.
- THROUGH FRAME:** FOR INSTALLATION INTO METAL STUD, USE ONE #10 SELF-DRILLING SCREW TYPE INSTALLATION ANCHOR PER LOCATION OF SUFFICIENT LENGTH TO ACHIEVE A MINIMUM PENETRATION OF 3 THREADS BEYOND METAL STRUCTURE.
- THROUGH FRAME :** FOR INSTALLATION THROUGH 1X BUCK TO CONCRETE/MASONRY OR DIRECTLY INTO CONCRETE/MASONRY, USE 3/16" ITW TAPCONS OR 3/16" DEWALT ULTRACON+ OF SUFFICIENT LENGTH TO ACHIEVE 1 1/2" MINIMUM EMBEDMENT.
- MINIMUM EMBEDMENT AND EDGE DISTANCE EXCLUDE WALL FINISHES, INCLUDING BUT NOT LIMITED TO STUCCO, FOAM, BRICK VENEER, AND SIDING.
- INSTALLATION ANCHORS AND ASSOCIATED HARDWARE MUST BE MADE OF CORROSION RESISTANT MATERIAL OR HAVE A CORROSION RESISTANT COATING.
- INSTALLATION ANCHORS SHALL BE INSTALLED IN ACCORDANCE WITH ANCHOR MANUFACTURER'S INSTALLATION INSTRUCTIONS, AND ANCHORS SHALL NOT BE USED IN SUBSTRATES WITH STRENGTHS LESS THAN THE MINIMUM STRENGTH SPECIFIED BY THE ANCHOR MANUFACTURER.
- INSTALLATION ANCHOR CAPACITIES FOR PRODUCTS HEREIN ARE BASED ON SUBSTRATE MATERIALS WITH THE FOLLOWING PROPERTIES:
  - STEEL - MIN. TENSILE YIELD STRENGTH OF 33 KSI. MIN. 18 GAUGE THICKNESS (0.0478").
  - WOOD - MINIMUM SPECIFIC GRAVITY = 0.55.
  - ALUMINUM - MIN. 6063-T5, MIN 1/8" WALL THICKNESS.
  - CONCRETE - MINIMUM COMPRESSIVE STRENGTH OF 3000 PSI.
  - GROUT-FILLED CUM- UNIT STRENGTH CONFORMS TO ASTM C-90 WITH MINIMUM COMPRESSIVE STRENGTH OF 2000 PSI AN GROUT CONFORMS TO ASTM C-476 MINIMUM GROUT COMPRESSIVE STRENGTH OF 2000 PSI.

**GENERAL NOTES:**

- THE PRODUCT SHOWN HEREIN IS DESIGNED AND MANUFACTURED TO COMPLY WITH THE CURRENT EDITION OF THE FLORIDA BUILDING CODE (FBC), **EXCLUDING** HVHZ AND HAS BEEN EVALUATED TO THE FOLLOWING:
  - TAS 202-94
- ADEQUACY OF THE EXISTING STRUCTURAL 2X WOOD FRAMING OR METAL STUD FRAMING AS A MAIN WIND FORCE RESISTING SYSTEM CAPABLE OF WITHSTANDING AND TRANSFERRING APPLIED PRODUCT LOADS TO THE FOUNDATION IS THE RESPONSIBILITY OF THE ENGINEER OR ARCHITECT OF RECORD FOR THE PROJECT OF INSTALLATION.
- THE INSTALLATION DETAILS DESCRIBED HEREIN ARE GENERIC AND MAY NOT REFLECT ACTUAL CONDITIONS FOR A SPECIFIC SITE. IF SITE CONDITIONS CAUSE INSTALLATION TO DEVIATE FROM THE REQUIREMENTS DETAILED HEREIN, A LICENSED ENGINEER OR ARCHITECT SHALL PREPARE SITE SPECIFIC DOCUMENTS FOR USE WITH THIS DOCUMENT IN NON-HVHZ AREA.
- THE INSTALLATION DETAILS DESCRIBED HEREIN ARE GENERIC AND MAY NOT REFLECT ACTUAL CONDITIONS FOR A SPECIFIC SITE. IF SITE CONDITIONS CAUSE INSTALLATION TO DEVIATE FROM THE REQUIREMENTS DETAILED HEREIN, A LICENSED ENGINEER OR ARCHITECT SHALL PREPARE SITE SPECIFIC DOCUMENTS FOR THE USE WITH THIS DOCUMENT.
- APPROVED IMPACT PROTECTIVE SYSTEM **IS REQUIRED** TO PROTECT THIS PRODUCT IN AREAS REQUIRING IMPACT RESISTANCE.
- GLASS SHALL COMPLY WITH LOAD RESISTANCE REQUIREMENTS PER ASTM E1300. SEE SHEETS 8 & 9.
- WINDOW FRAME MATERIAL: 6063-T6 ALUMINUM
- DESIGNATION "X" AND "O" STAND FOR THE FOLLOWING
  - X: OPERABLE PANEL
  - O: FIXED PANEL

TABLE OF CONTENTS	
SHEET	SHEET DESCRIPTION
1	INSTALLATION NOTES & GENERAL NOTES
2	ELEVATION, ANCHOR LAYOUT, & DESIGN PRESSURE TABLE
3	ELEVATION MULLED UNIT
4	ANCHOR LAYOUT MULLED UNIT
5	VERTICAL SECTIONS
6	HORIZONTAL SECTIONS
7	MULLION DESIGN PRESSURE TABLE & SECTIONS - ANGLE
8	GLAZING DETAILS (WET GLAZED)
9	GLAZING DETAILS (DRY GLAZED)

DESIGN PRESSURE TABLE		WATER TEST PRESSURE	IMPACT RATED
SINGLE UNIT	SEE SHEET 2	12 PSF	NON-IMPACT
MULLED UNIT	SEE SHEET 7	9 PSF	

TITLE: FIXED WINDOW (NON-HVHZ)(NON-IMPACT)

INSTALLATION NOTES & GENERAL NOTES

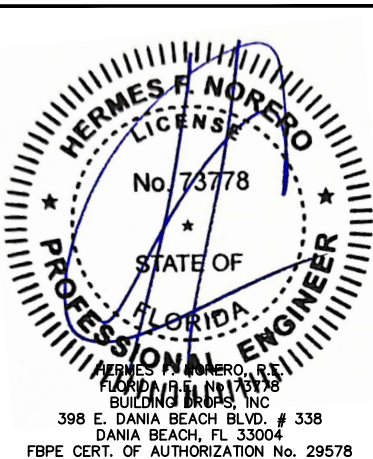
PREPARED BY: BUILDING DROPS, INC.

398 E. DANIA BEACH BLVD., STE. 338  
DANIA BEACH, FL 33004  
PH: (954)399-8478  
FAX: (954)744-4738  
WEB: www.buildingdrops.com



REMARKS	BY	DATE
COMPANY NAME UPD.	SH	09/23

THE INSTALLATION DETAILS DESCRIBED HEREIN ARE GENERIC AND MAY NOT REFLECT ACTUAL CONDITIONS FOR A SPECIFIC SITE. IF SITE CONDITIONS CAUSE INSTALLATION TO DEVIATE FROM THE REQUIREMENTS DETAILED HEREIN, A LICENSED ENGINEER OR ARCHITECT SHALL PREPARE SITE SPECIFIC DOCUMENTS FOR USE WITH THIS DOCUMENT.



FL #: **FL31965**

DATE: **04.26.23**

DWG. BY: **SH**      CHK. BY: **HFN**

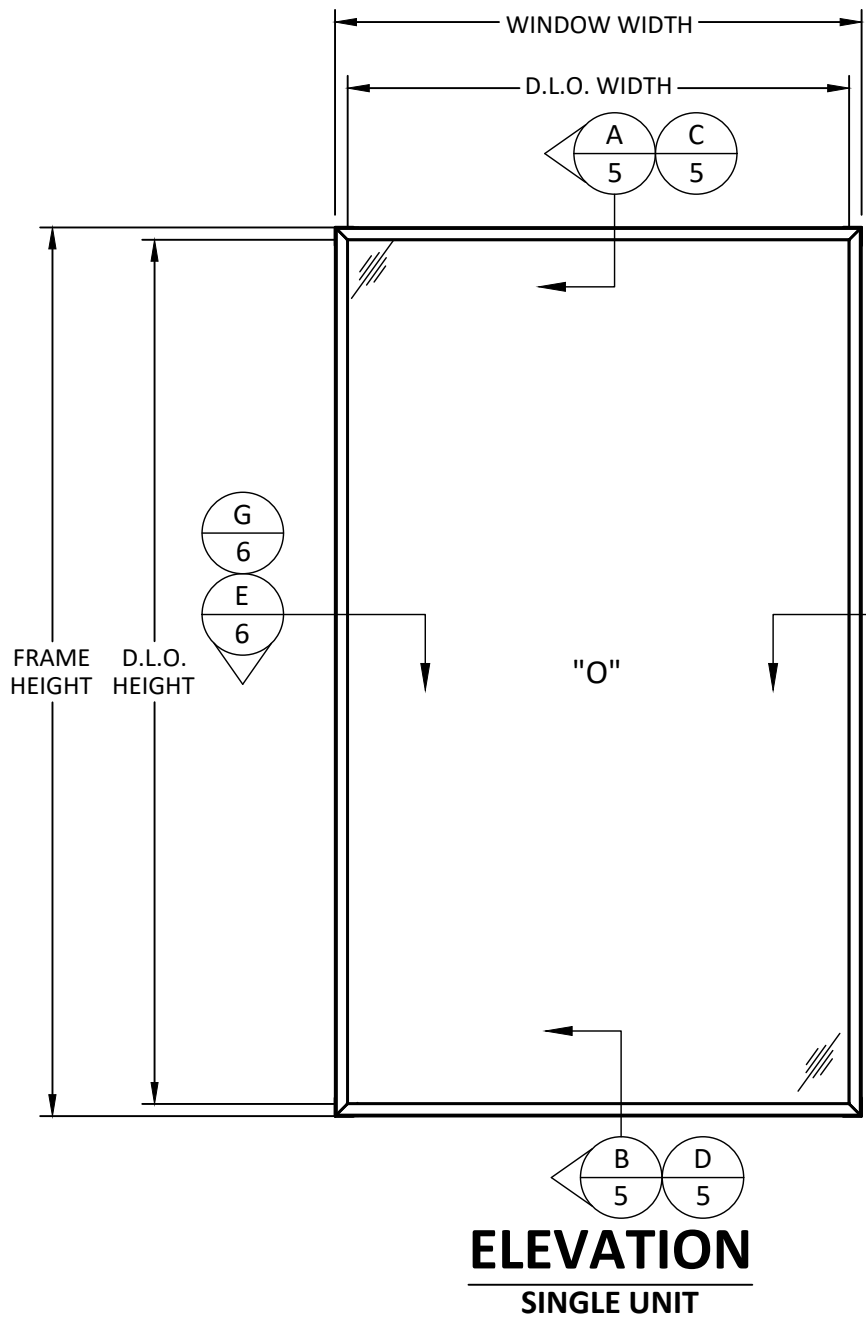
SCALE: **NTS**

DWG. #: **EWS032**

SHEET: **1**

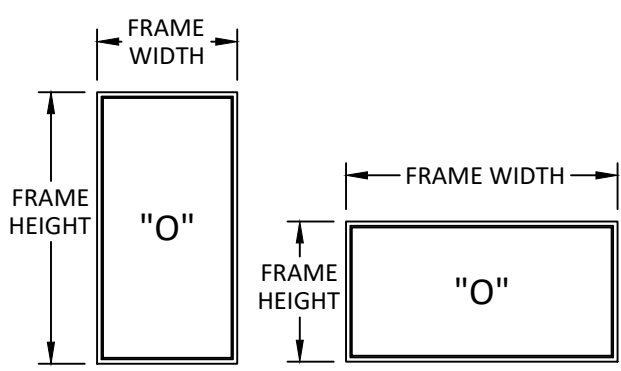
OF 9

9/29/2023 2:31 PM  
s:\projects\euro-wall systems\fb-23-0818 - fbc submittal - fbc submittal - eww032.dwg

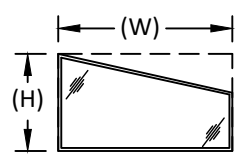


**DAYLIGHT OPENING CALCULATIONS:**

- D.L.O. HEIGHT = FRAME HEIGHT - 4.00"
- D.L.O. WIDTH = FRAME WIDTH - 4.00"

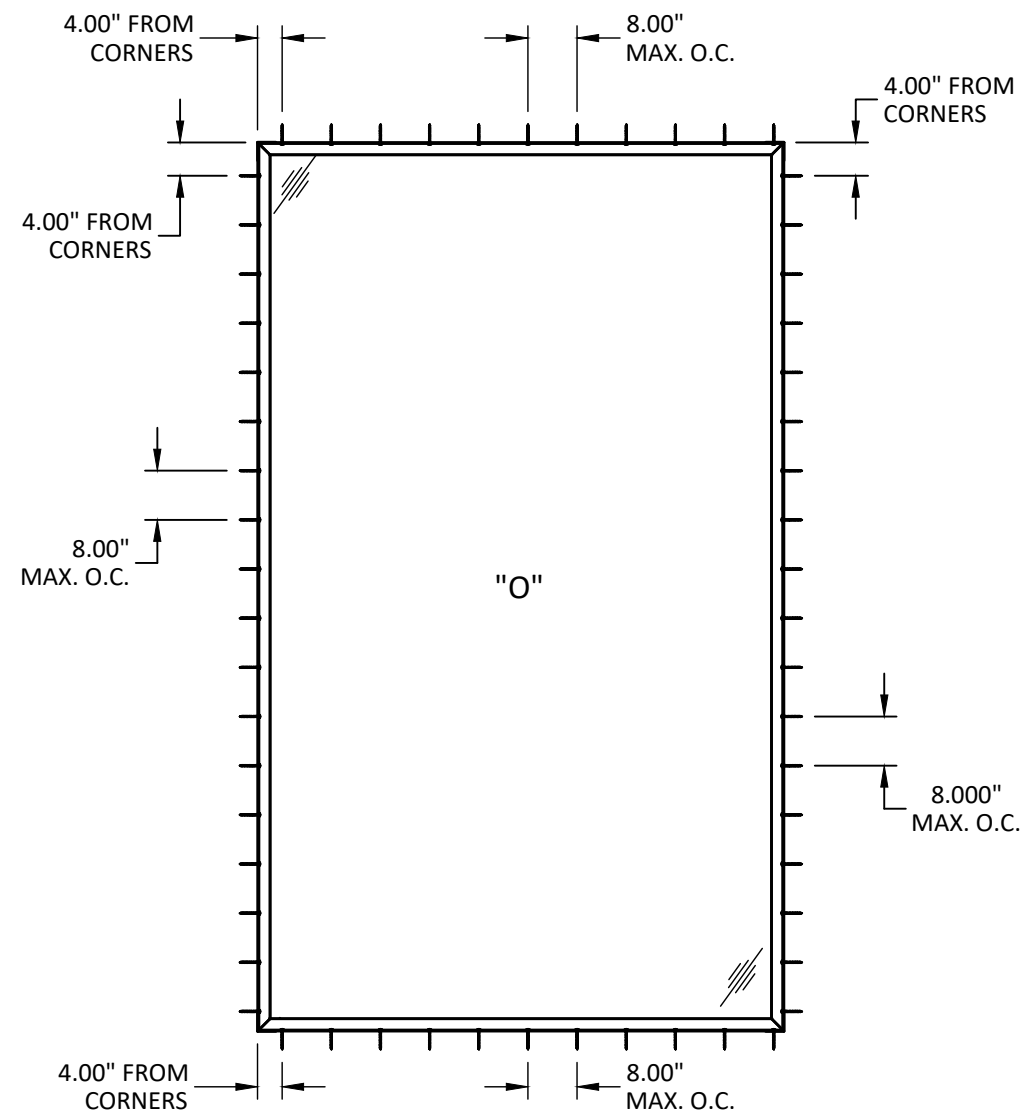


**NOTE:**  
WINDOW WIDTH AND HEIGHT ARE INTERCHANGEABLE FOR ALL SIZES SHOWN HEREIN NOT TO EXCEED MAXIMUM QUALIFIED SQUARE FOOT AREA.



UNITS OF THE SHOWN SHAPES ARE ALLOWED PROVIDED CONSTRUCTION, GLAZING, & ANCHORAGE ARE PER DETAILS SHOWN HEREIN. ALL SHAPED UNITS SHALL FIT WITHIN THE RECTANGULAR AREAS AS SHOWN.

- MAXIMUM AREA (RECTANGLE UNITS) = 85" X 144"
- MAXIMUM DP = +/- 80 PSF



**ANCHOR LAYOUT  
THROUGH FRAME INSTALLATION**

DESIGN PRESSURE TABLE (PSF) FIXED WINDOW																
		FIXED WINDOW WIDTH (INCHES)														
		52	56	60	64	68	72	76	80	85	88	92	96	100	104	
FIXED WINDOW HEIGHT (INCHES)	72	80.0	80.0	80.0	80.0	80.0	80.0	80.0	80.0	80.0	80.0	80.0	80.0	80.0	80.0	80.0
	80	80.0	80.0	80.0	80.0	80.0	80.0	80.0	80.0	80.0	80.0	80.0	80.0	80.0	80.0	80.0
	88	80.0	80.0	80.0	80.0	80.0	80.0	80.0	80.0	80.0	80.0	80.0	80.0	80.0	80.0	80.0
	96	80.0	80.0	80.0	80.0	80.0	80.0	80.0	80.0	80.0	80.0	80.0	80.0	80.0	80.0	80.0
	104	80.0	80.0	80.0	80.0	80.0	80.0	80.0	80.0	80.0	80.0	80.0	80.0	80.0	80.0	80.0
	112	80.0	80.0	80.0	80.0	80.0	80.0	80.0	80.0	80.0	80.0	80.0	80.0	80.0	80.0	80.0
	120	80.0	80.0	80.0	80.0	80.0	80.0	80.0	80.0	80.0	80.0	80.0	80.0	80.0	80.0	80.0
	128	80.0	80.0	80.0	80.0	80.0	80.0	80.0	80.0	80.0	80.0	80.0	80.0	80.0	80.0	80.0
	136	80.0	80.0	80.0	80.0	80.0	80.0	80.0	80.0	80.0	80.0	80.0	-	-	-	-
	144	80.0	80.0	80.0	80.0	80.0	80.0	80.0	80.0	80.0	80.0	-	-	-	-	-
	152	80.0	80.0	80.0	80.0	80.0	80.0	80.0	80.0	80.0	-	-	-	-	-	-
	160	80.0	80.0	80.0	80.0	80.0	80.0	80.0	80.0	-	-	-	-	-	-	-
	168	80.0	80.0	80.0	80.0	80.0	80.0	80.0	-	-	-	-	-	-	-	-
	176	80.0	80.0	80.0	80.0	80.0	80.0	-	-	-	-	-	-	-	-	-

**euro-wall**  
FOLDING | SLIDING | STACKING | PIVOT

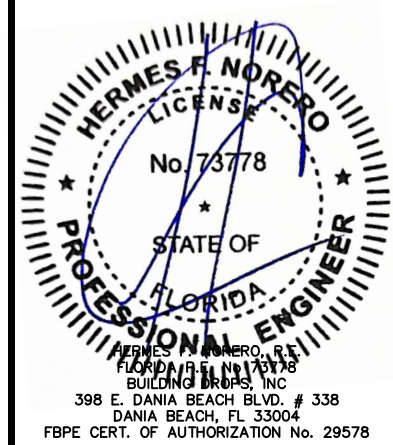
EURO-WALL, LLC  
24100 TISEO BOULEVARD  
PORT CHARLOTTE, FL 33980  
PH: 888-989-3876

**TITLE:** FIXED WINDOW (NON-HVHZ)(NON-IMPACT) ELEVATION, ANCHOR LAYOUT, & DESIGN PRESSURE TABLE (SINGLE UNIT)

**PREPARED BY:** BUILDING DROPS, INC.  
398 E. DANIA BEACH BLVD., STE. 338  
DANIA BEACH, FL 33004  
PH: (954)399-8478  
FAX: (954)744-4738  
WEB: www.buildingdrops.com

REMARKS	BY	DATE
COMPANY NAME UPD.	SH	09/23

THE INSTALLATION DETAILS DESCRIBED HEREIN ARE GENERIC AND MAY NOT REFLECT ACTUAL CONDITIONS FOR A SPECIFIC SITE. IF SITE CONDITIONS CAUSE INSTALLATION TO DEVIATE FROM THE REQUIREMENTS DETAILED HEREIN, A LICENSED ENGINEER OR ARCHITECT SHALL PREPARE SITE SPECIFIC DOCUMENTS FOR USE WITH THIS DOCUMENT.



FL #: **FL31965**

DATE: **04.26.23**

DWG. BY: **SH**      CHK. BY: **HFN**

SCALE: **NTS**

DWG. #: **EWS032**

SHEET: **2** OF 9

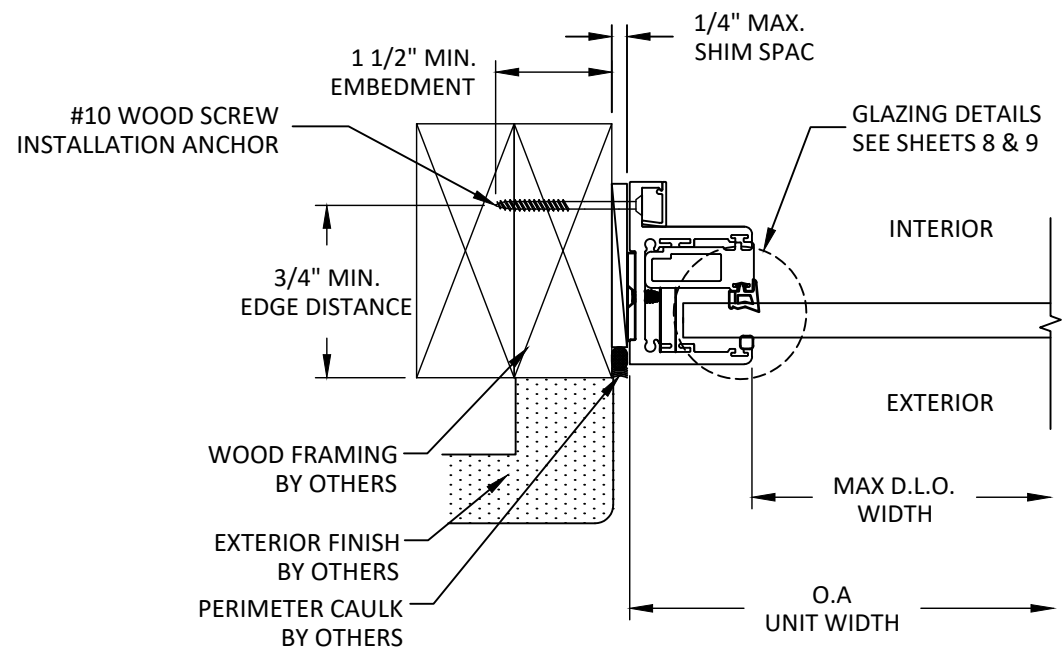




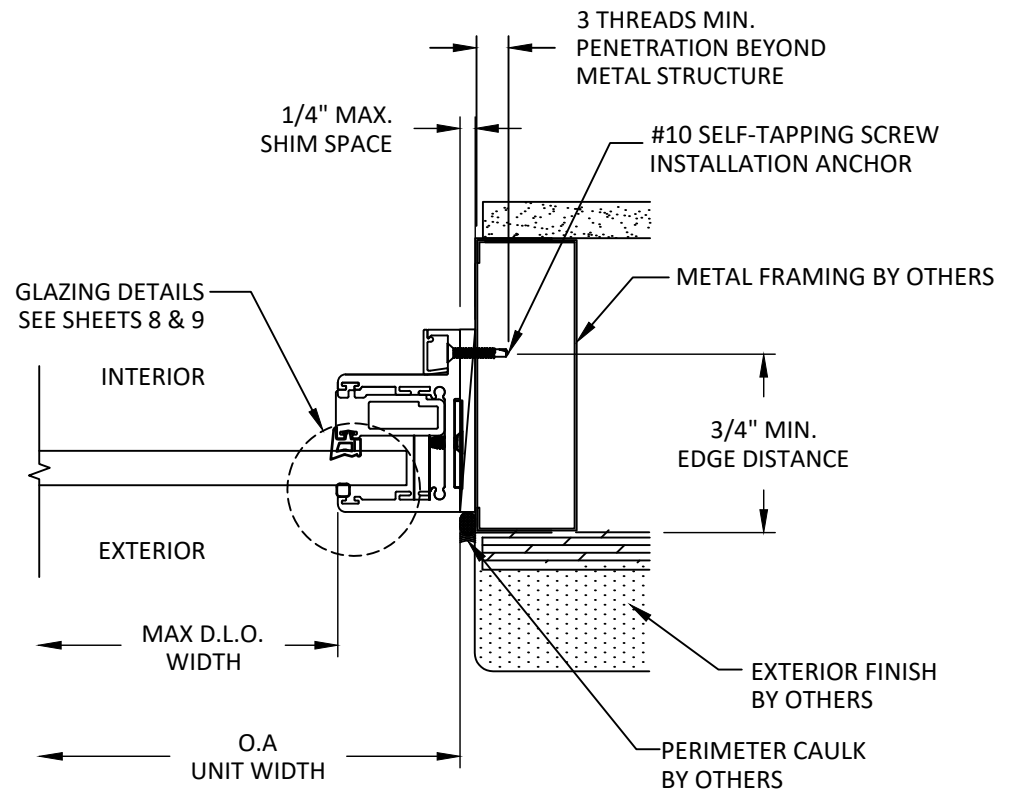




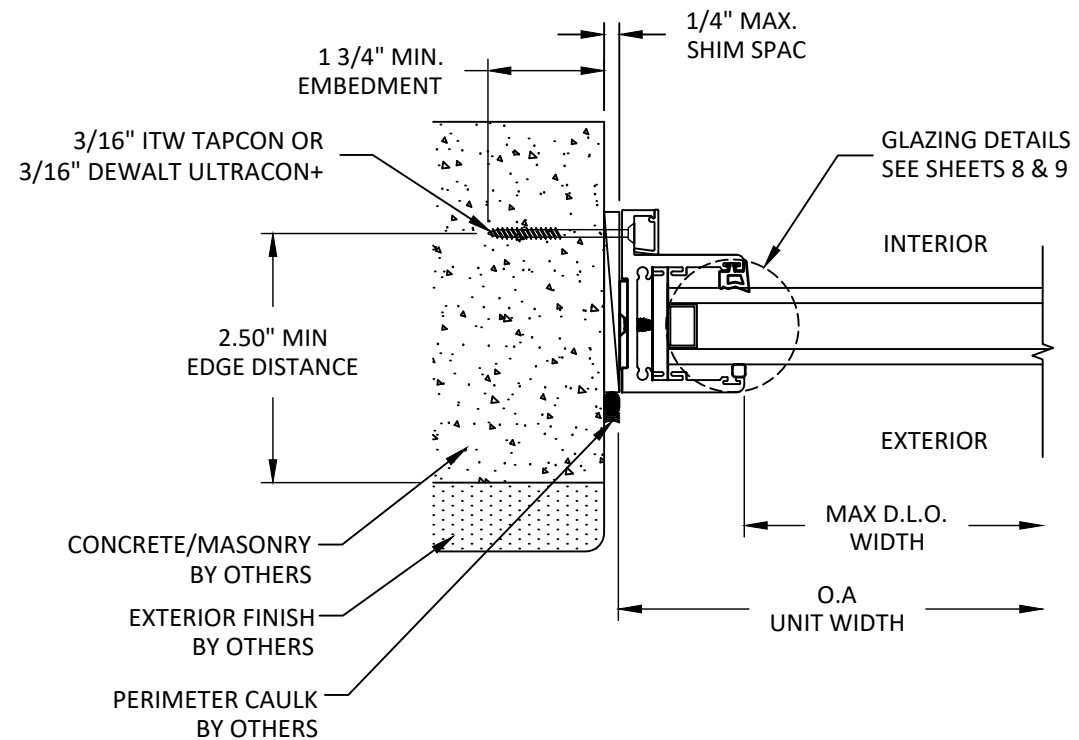
s:\projects\euro-wall systems\fbc-23-0818 - fbc submittal - fbc submittal - fbc submittal - ew holdings of florida llc name change\dwgs\131965\ews032.dwg  
 9/29/2023 2:31 PM



**E**  
**6** **HORIZONTAL SECTION**  
JAMB - 2X WOOD FRAME  
THROUGH FRAME INSTALLATION



**F**  
**6** **HORIZONTAL SECTION**  
METAL STUD  
THROUGH FRAME INSTALLATION



**G**  
**6** **HORIZONTAL SECTION**  
JAMB-CONCRETE OR CMU  
THROUGH FRAME INSTALLATION

**euro-wall**  
FOLDING | SLIDING | STACKING | PIVOT

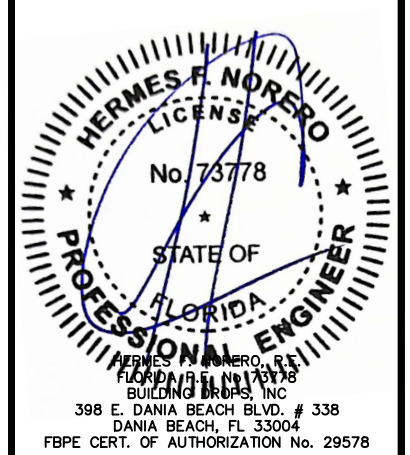
EURO-WALL, LLC  
24100 TISEO BOULEVARD  
PORT CHARLOTTE, FL 33980  
PH: 888-989-3876

TITLE: **FIXED WINDOW (NON-HVHZ)(NON-IMPACT)**  
HORIZONTAL SECTIONS

PREPARED BY: **BUILDING DROPS, INC.**  
398 E. DANIA BEACH BLVD., STE. 338  
DANIA BEACH, FL 33004  
PH: (954)399-8478  
FAX: (954)744-4738  
WEB: www.buildingdrops.com

REMARKS	BY	DATE
COMPANY NAME UPD.	SH	09/23

THE INSTALLATION DETAILS DESCRIBED HEREIN ARE GENERIC AND MAY NOT REFLECT ACTUAL CONDITIONS FOR A SPECIFIC SITE. IF SITE CONDITIONS CAUSE INSTALLATION TO DEVIATE FROM THE REQUIREMENTS DETAILED HEREIN, A LICENSED ENGINEER OR ARCHITECT SHALL PREPARE SITE SPECIFIC DOCUMENTS FOR USE WITH THIS DOCUMENT.



FL #: **FL31965**

DATE: **04.26.23**

DWG. BY: <b>SH</b>	CHK. BY: <b>HFN</b>
--------------------	---------------------

SCALE: **NTS**

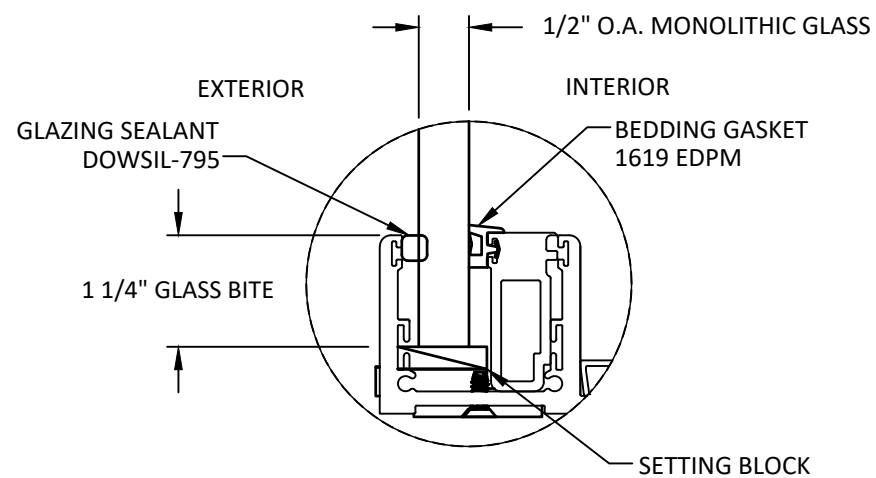
DWG. #: **EWS032**

SHEET: **6**  
OF 9

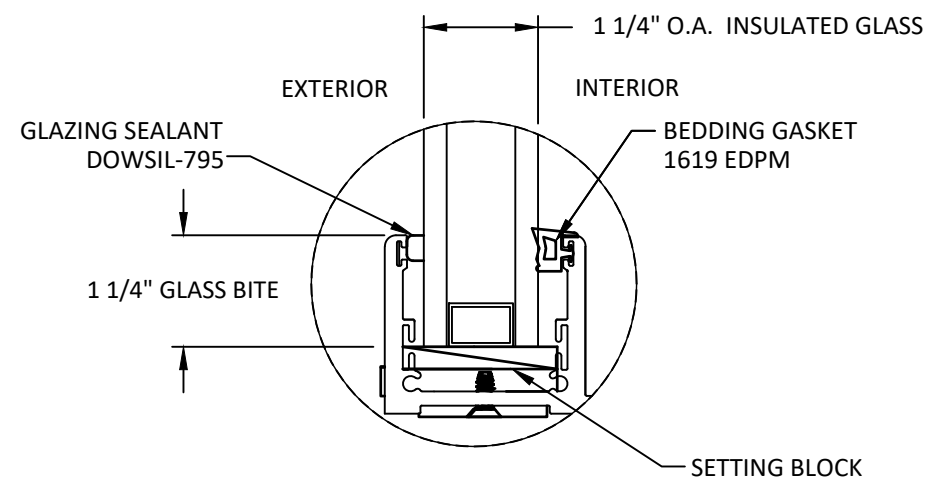




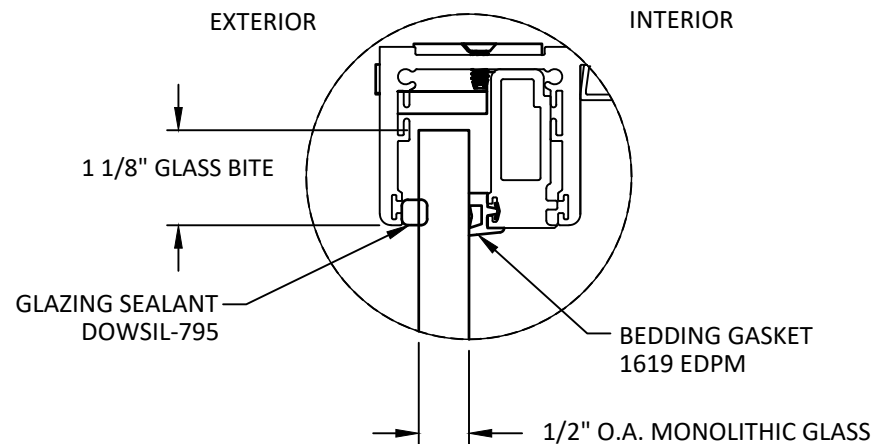
9/29/2023 2:31 PM  
 s:\projects\euro-wall systems\fb-23-0818 - fbc submittal - fbc submittal - ew holdings of florida llc name change\dwgs\131965\ews032.dwg



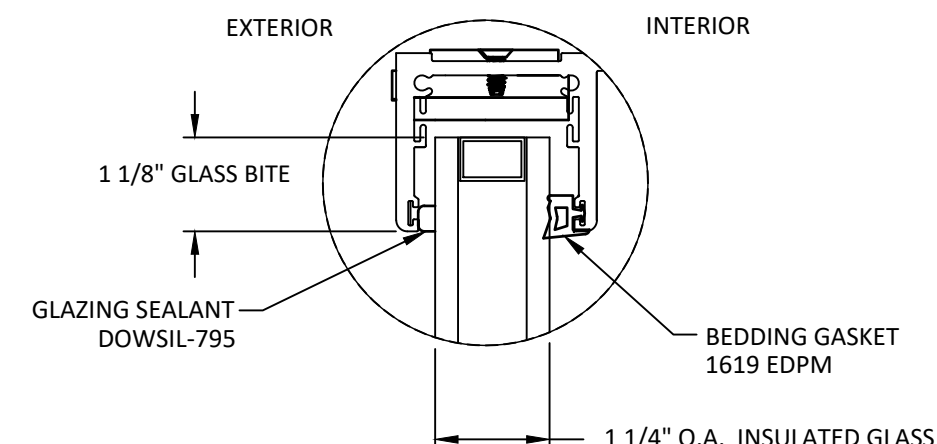
**GLAZING DETAIL 1  
SINGLE UNIT BOTTOM**



**GLAZING DETAIL 2  
SINGLE UNIT BOTTOM**

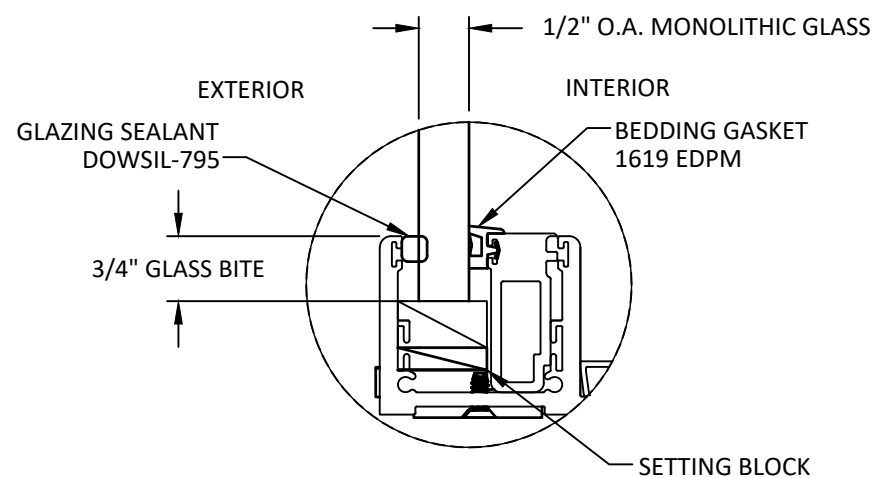


**GLAZING DETAIL 3  
SINGLE UNIT TOP**

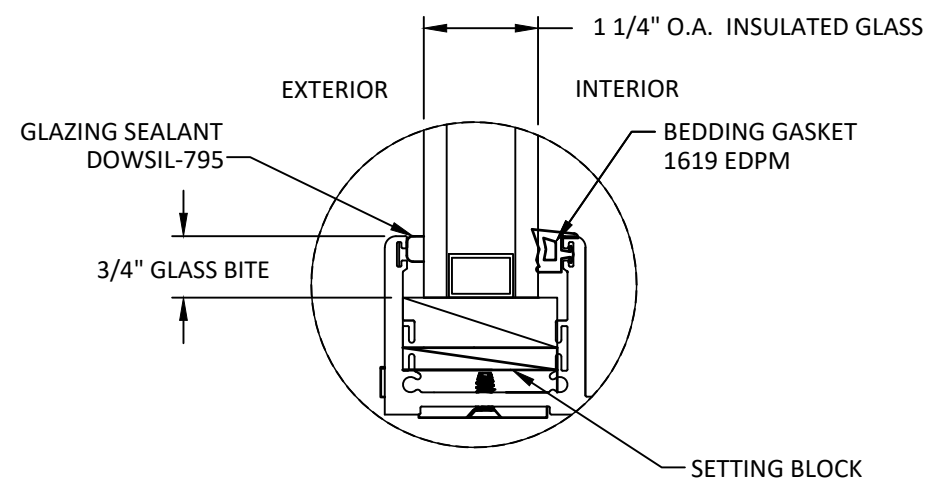


**GLAZING DETAIL 4  
SINGLE UNIT TOP**

- GLAZING NOTES:**
1. GLASS TYPE SHALL COMPLY WITH ASTM E1300 REQUIREMENTS.
  2. SETTING BLOCKS TO BE LOCATED AT 1/4 SPAN LENGTH FOR GLASS WIDER THAN 36" AS PER FBC CHAPTER 24.
  3. SETTING BLOCK DUROMETER HARDNESS OF 70-90 (SHORE A) AS REFERENCED IN FBC CHAPTER 24.
  4. GLASS TYPE SHALL COMPLY WITH APPLICABLE GLAZING REQUIREMENTS PER CHAPTER 24 OF THE FBC



**GLAZING DETAIL 5  
MULTI UNIT TOP/BOTTOM**



**GLAZING DETAIL 6  
MULTI UNIT TOP/BOTTOM**

**euro-wall**

FOLDING | SLIDING | STACKING | PIVOT

EURO-WALL, LLC  
 24100 TISEO BOULEVARD  
 PORT CHARLOTTE, FL 33980  
 PH: 888-989-3876

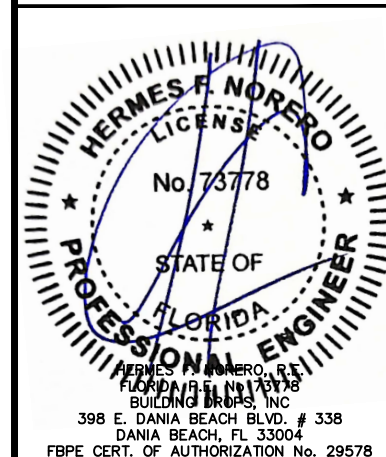
TITLE: **FIXED WINDOW  
(NON-HVHZ)(NON-IMPACT)  
GLAZING DETAILS (WET GLAZED)**

PREPARED BY:  
**BUILDING DROPS, INC.**  
 398 E. DANIA BEACH BLVD., STE. 338  
 DANIA BEACH, FL 33004  
 PH: (954)399-8478  
 FAX: (954)744-4738  
 WEB: www.buildingdrops.com



REMARKS	BY	DATE
COMPANY NAME UPD.	SH	09/23

THE INSTALLATION DETAILS DESCRIBED HEREIN ARE GENERIC AND MAY NOT REFLECT ACTUAL CONDITIONS FOR A SPECIFIC SITE. IF SITE CONDITIONS CAUSE INSTALLATION TO DEVIATE FROM THE REQUIREMENTS DETAILED HEREIN, A LICENSED ENGINEER OR ARCHITECT SHALL PREPARE SITE SPECIFIC DOCUMENTS FOR USE WITH THIS DOCUMENT.



FL #: **FL31965**

DATE: **04.26.23**

DWG. BY: **SH**      CHK. BY: **HFN**

SCALE: **NTS**

DWG. #: **EWS032**

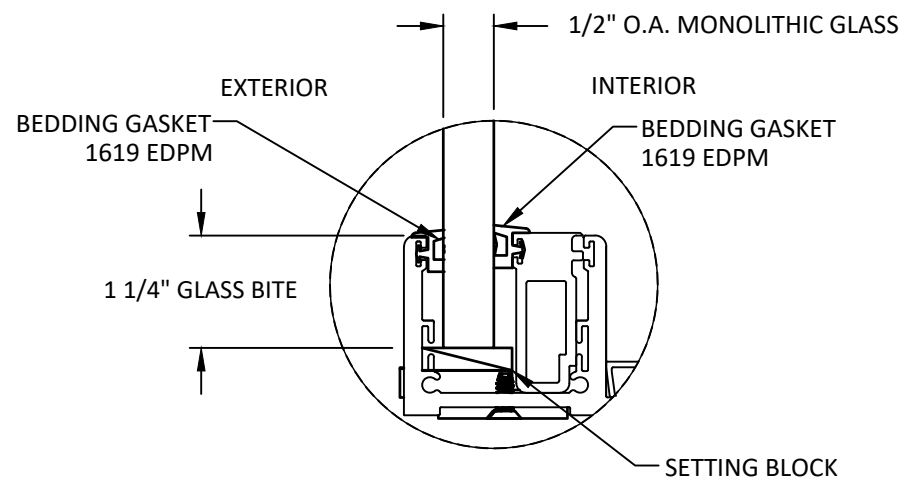
SHEET:

8

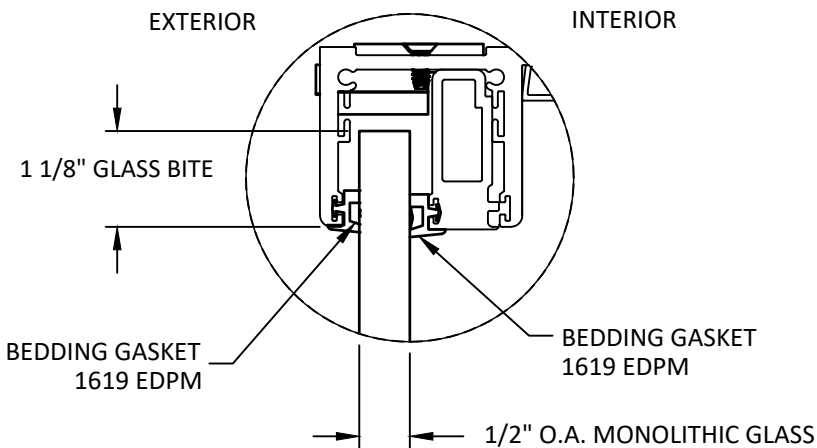
OF 9



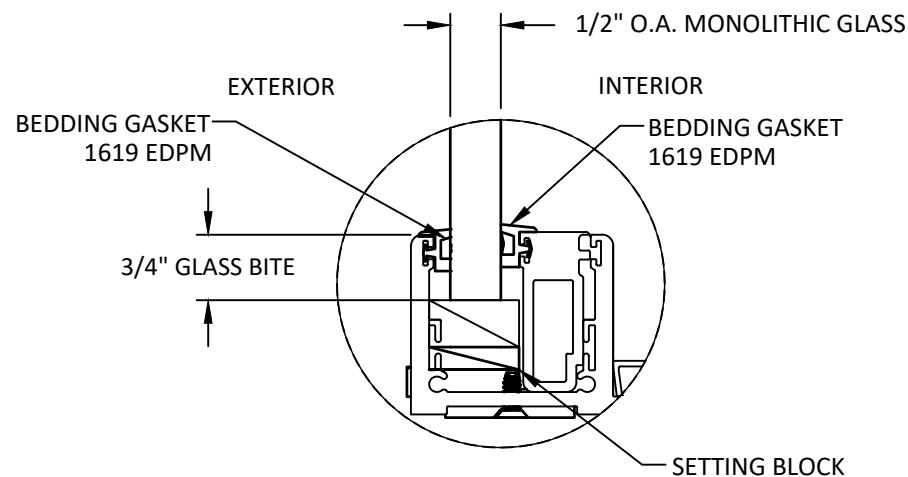
9/29/2023 2:31 PM  
 s:\projects\euro-wall systems\fb-23-0818 - fbc submittal - fbc submittal - ew holdings of florida llc name change\dwg\131965\ew032.dwg



**GLAZING DETAIL 7  
SINGLE UNIT BOTTOM**

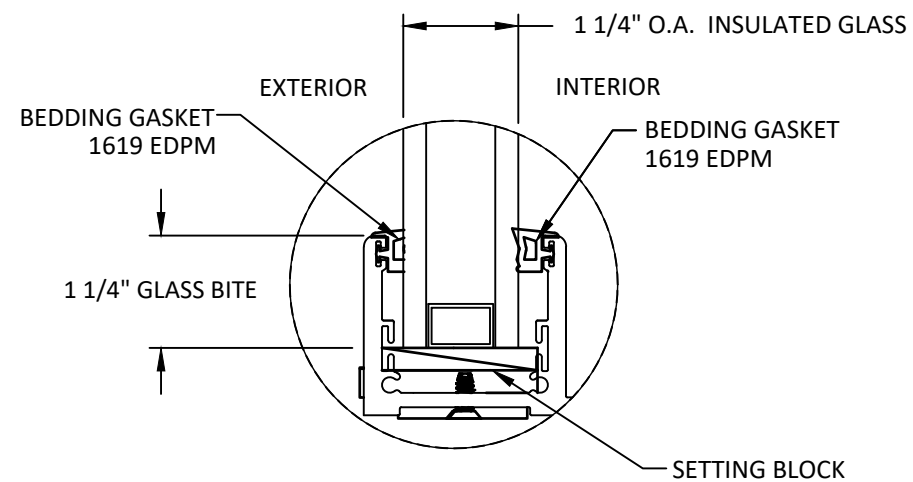


**GLAZING DETAIL 9  
SINGLE UNIT TOP**

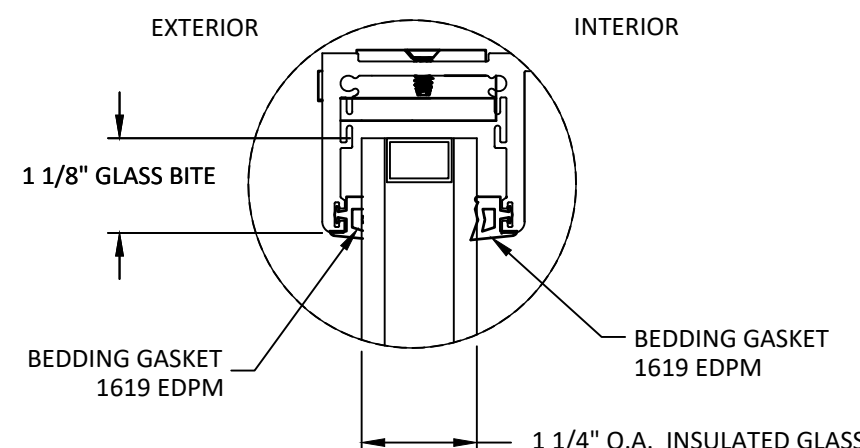


**GLAZING DETAIL 11  
MULTI UNIT TOP/BOTTOM**

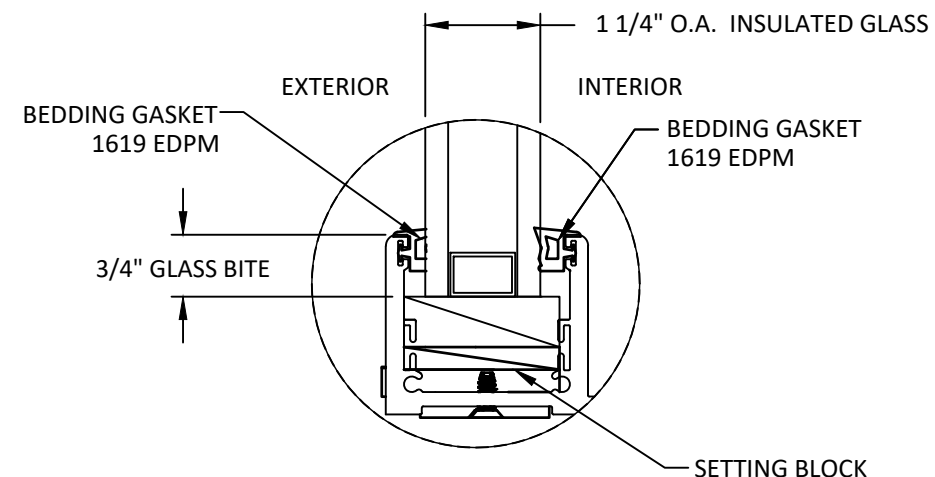
- GLAZING NOTES:**
1. GLASS TYPE SHALL COMPLY WITH ASTM E1300 REQUIREMENTS.
  2. SETTING BLOCKS TO BE LOCATED AT 1/4 SPAN LENGTH FOR GLASS WIDER THAN 36" AS PER FBC CHAPTER 24.
  3. SETTING BLOCK DUROMETER HARDNESS OF 70-90 (SHORE A) AS REFERENCED IN FBC CHAPTER 24.
  4. GLASS TYPE SHALL COMPLY WITH APPLICABLE GLAZING REQUIREMENTS PER CHAPTER 24 OF THE FBC



**GLAZING DETAIL 8  
SINGLE UNIT BOTTOM**



**GLAZING DETAIL 10  
SINGLE UNIT TOP**



**GLAZING DETAIL 12  
MULTI UNIT TOP/BOTTOM**

**euro-wall**

FOLDING | SLIDING | STACKING | PIVOT

EURO-WALL, LLC  
 24100 TISEO BOULEVARD  
 PORT CHARLOTTE, FL 33980  
 PH: 888-989-3876

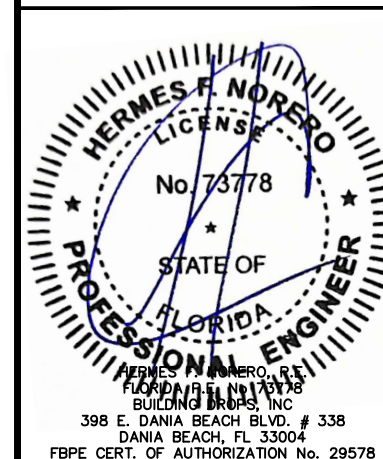
TITLE: **FIXED WINDOW  
(NON-HVHZ)(NON-IMPACT)  
GLAZING DETAILS (DRY GLAZED)**

PREPARED BY:  
**BUILDING DROPS, INC.**  
 398 E. DANIA BEACH BLVD., STE. 338  
 DANIA BEACH, FL 33004  
 PH: (954)399-8478  
 FAX: (954)744-4738  
 WEB: www.buildingdrops.com



REMARKS	BY	DATE
COMPANY NAME UPD.	SH	09/23

THE INSTALLATION DETAILS DESCRIBED HEREIN ARE GENERIC AND MAY NOT REFLECT ACTUAL CONDITIONS FOR A SPECIFIC SITE. IF SITE CONDITIONS CAUSE INSTALLATION TO DEVIATE FROM THE REQUIREMENTS DETAILED HEREIN, A LICENSED ENGINEER OR ARCHITECT SHALL PREPARE SITE SPECIFIC DOCUMENTS FOR USE WITH THIS DOCUMENT.



FL #:	<b>FL31965</b>
DATE:	<b>04.26.23</b>
DWG. BY:	<b>SH</b>
CHK. BY:	<b>HFN</b>
SCALE:	<b>NTS</b>
DWG. #:	<b>EWS032</b>
SHEET:	<b>9</b>